



FJORDPARK Sol WZN Sun lounger embedded, wide slats

Stands out as attractive, simple, Nordic-style seating offering a high level of comfort offering a swivel function for making the most of the sun, the view or peace and quiet for work.

It's perfect for parks, waterfronts or as an outdoor workplace.

The sun lounger can be supplied with narrow in sapele mahogany (FSC®-certified), or wide slats in either pine or sapele mahogany (FSC®-certified).

It has been designed by studio VE2 as a solution that is both long-lasting and future-proof for urban spaces and park environments.

The curved seat and back of the FJORDPARK sun lounger is mounted on a hot-dip galvanised, steel-profile frame which can be powder coated in any RAL colour of your choice.

The frame is always hot-dip galvanised before powder coating.

Sapele mahogany (FSC®-certified) is an extremely durable type of wood requiring very little maintenance, and to preserve his attractive warm colour, wood should be treated regularly with oil.

When supplied with pine wood, slats arrived oiled once.

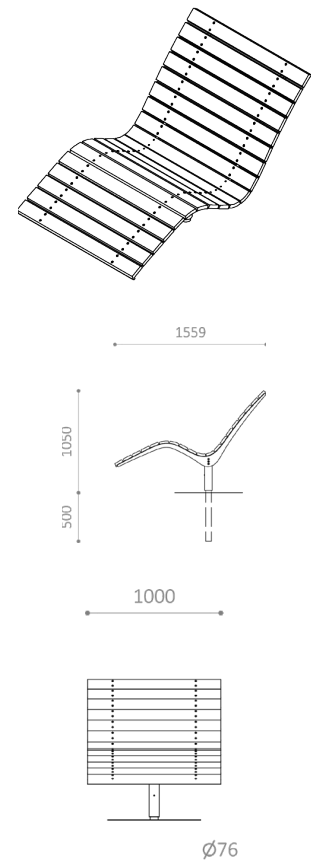
Materials

Frame: Hot-dip galvanised steel; Powder-coated, hot-dip galvanised steel

Seat: Oil-treated, FSC®-certified mahogany; Untreated FSC®-certified mahogany; Oil-treated pine

Dimensions

L: 1000mm
W: 1559mm
H: 1050mm



(Technical Drawings available on request)

