



Alcott Lighting

The twelve foot tall Alcott pedestrian light is a contemporary interpretation of a traditional lamp post. Its gently curved posts terminate in a domed LED luminaire, sealed with a thermoformed lens. Concord features refined design that is informed by the past and contemporary in spirit, offering a distinctive design perspective for creating a sense of place.

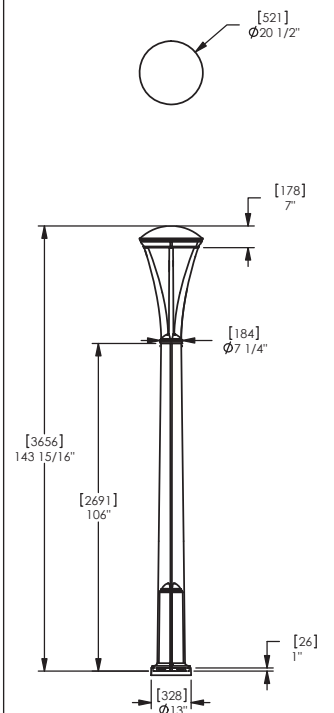
Specification:

Materials:
Aluminium.

Finishes:
Pangard II powder coated, in a selection of colours.

Dimensions

H: 3656; 4200; 4800mm
Base Dia: 328mm
Top Dia: 521mm
Power supply: 100V-277V



artform
urban furniture