



## Chipman Table

The Chipman Table is part of the Terrace Life range, a variety of lifestyle furniture pieces for terraces, rooftop gardens and other private and protected spaces. Designed by landscape architect Robert Chipman and inspired by the curves and hollows of the mountains he loves, the chipman table features stunning sculptural form conceived for more intimate social settings. The lightweight 1143mm round table comes in dining and lounge heights, both are flawless in detail and finish.

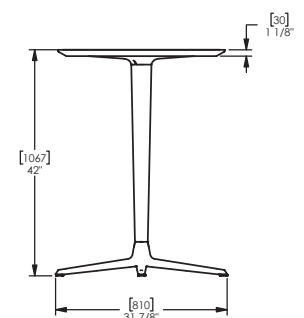
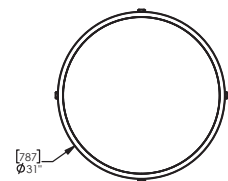
### Specification

#### Materials

Frame / Top - cast aluminium

### Dimensions

H: 380/1067mm  
Dia: 787/1145mm



(Technical Drawings for variants available on request)

