



Melville Seat

The Melville Seat has a refined design that is informed by the past and contemporary in spirit, offering a distinctive design perspective for creating a sense of place. The Melville Seat is graceful and has an elegant curved backrest that is low in height, enabling sitters to lean into the curve and rest their arms comfortably along the top edge.

Specification:

Materials:

Cast Aluminium. Timber.

Finish:

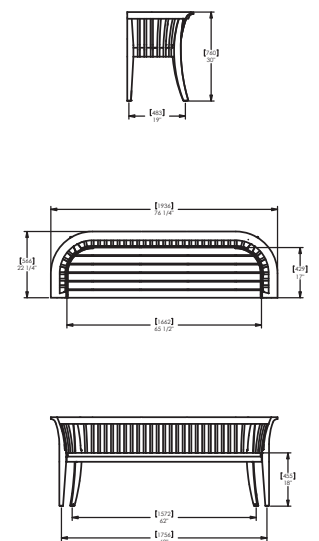
Pangard II Powdercoat.

Fixings:

Free standing. Surface mount.

Dimensions

H: 762mm
W: 1936mm
D: 566mm



(Technical Drawings for variants available on request)

