



## Ollie Chair

Ollie is the one of the smallest seating elements in the UrbanEdge family. Like the other chairs in the collection, it has a welcoming oval-shaped seat and is available with a curved-band back or without. Ollie seats one, in conventional sitting posture or astraddle and rotates 360 degrees, so sitters can face the sun or the action. Seats can be installed side-by-side in a row, scattered throughout a site, or positioned around the low Stella table to create a residential-like setting in public space.

### Specification:

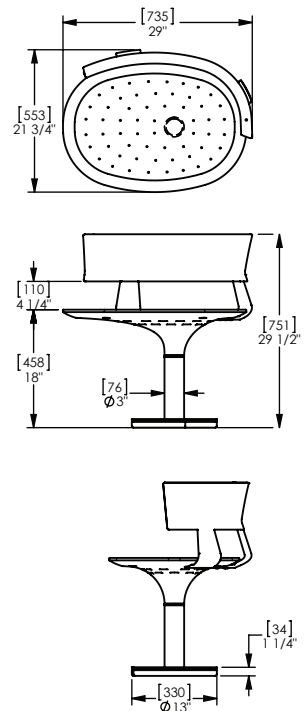
**Materials:**  
Steel

**Finish**  
Panguard II powder coated

**Fixings:**  
Below ground installation or surface mounted with plate and cover castings.

### Dimensions

H: 751mm  
W: 735mm  
D: 553mm



(Technical Drawings for variants available on request)

