



Valencia Seat

The Valencia Seat consists of a sturdy rectangular steel bar frame with tubular steel supports. The seat is made up of four timber slats, two of which have rounded edges. The seat can be provided with or without a backrest with steel supports. The modularity of the seat creates opportunities for different compositions.

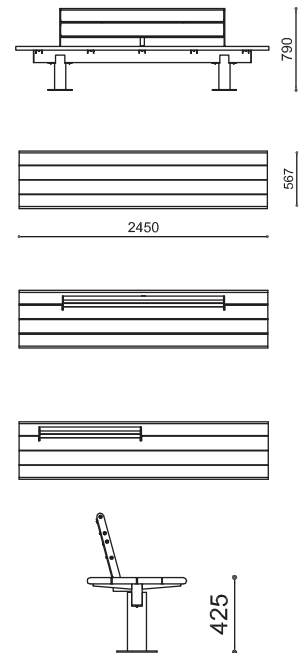
Specification

Materials

Frame - powder coated steel
Seat - timber

Dimensions

H: 790mm
W: 2000/2450mm
D: 597mm



(Technical Drawings for variants available on request)

