



## Volo Seat

The Volo Seat is available in two width options, either 900mm or 1800mm. The seat is made from individual laser cut pieces of steel sheet, 8mm thick for the seat and 6mm thick for the backrest, suitably shaped and finished with a powder coated finish or a corten process which is sandblasted and treated with a unique oxidisation cycle. The seat and backrest are assembled with stainless steel screws and cylindrical spacers. The seat comes with a pair of polished cast aluminium armrests fixed with turned steel bushes with suitable screws.

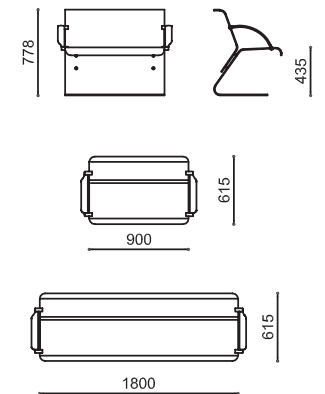
### Specification:

#### Materials:

Frame - powder coated steel;corten steel  
 Armrests - polished cast aluminium

### Dimensions

H: 435mm  
 W: 900/1800mm  
 D: 615mm



(Technical Drawings for variants available on request)

