



Windmark Chair

Windmark is a striking chair and table collection for high-profile public/private spaces. The chairs are fabricated with cast aluminium frames and either patterned metal or timber slat seats and backs. Chairs may be specified with or without arms. The steel seat back is offered in a grass, leaf or rain laser cut pattern. Custom patterns may be created for chair seat/back and the seat and back panels may be powder coated with a second colour for co-ordination. Interior timbers are finished with an exclusive LF-80 wood finish which is a clear catalysed acrylic laquer. Exterior woods are unfinished and will weather to a soft pewter grey, requiring no future maintenance.

Specification:

Materials:

Frame - powder coated cast aluminium
 Seat - powder coated steel, timber.

Finishes:

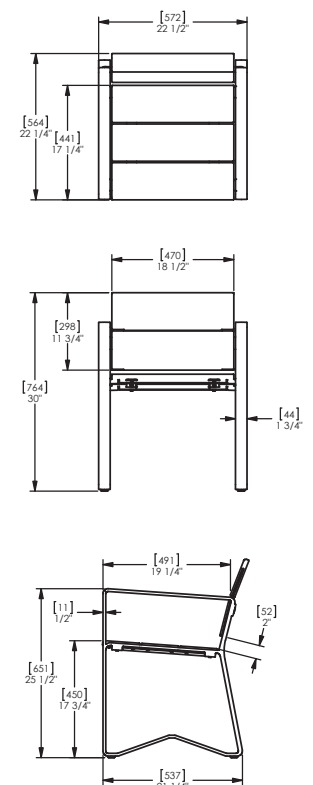
Pangard II powder coated, LF-80 wood finish

Fixings:

Free Standing

Dimensions

H: 764mm
 W: 470mm / 572mm
 D: 564mm



(Technical Drawings for variants available on request)

