



## Air Picnic Table

The Air Picnic Table is a modular picnic set consisting of a bench and table. The Air L-A-C is available in three materials and two sizes. Air-L features a timber clad seat and table with powder coated steel supports. The Air-A is manufactured solely from powder coated steel and is supported by powder coated steel legs. The Air-C is supplied in ultra-high performance concrete (UHPC) with supports in powder coated steel.

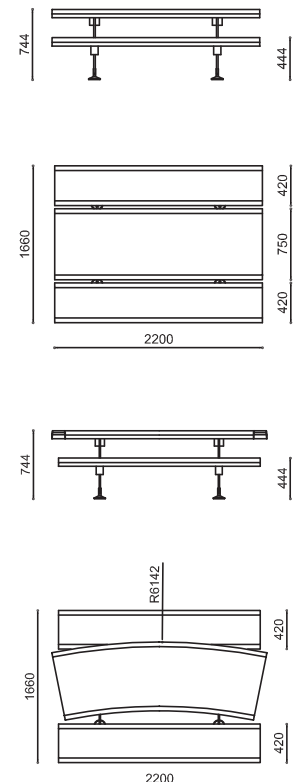
### Specification:

#### Materials:

Frame - powder coated steel  
 Top - ultra high performance concrete (UHPC))

### Dimensions

H: 444/744mm  
 W: 2200mm  
 D: 1660mm



(Technical Drawings for variants available on request)

