



## Loop Arc

Loop Arc is an innovative piece of furniture for sitting and socialising. When multiplied or combined with other products in the loop range, an infinite number of configurations unfold; twisting through trees, town squares and playgrounds or forming variously shaped sandpits.

The material is suitable for recycling.

### Specification:

#### Materials:

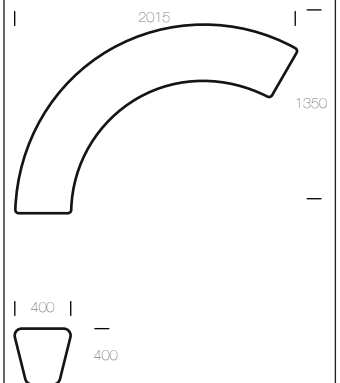
Rotation moulded polyethylene

#### Fixing:

The modules can be secured by filling with water (225 litre) or sand (225 kg) or fastened to the ground with brackets. For multiple configurations the modules are joined with brackets at either end.

### Dimensions

L: 2015mm  
W: 1350mm  
H: 400mm



**artform**  
urban furniture